

Single-chip 8-bit microcontroller

8032AH/8052AH

DESCRIPTION

The Philips 8032AH/8052AH is a high-performance microcontroller fabricated using the Philips high-density highly reliable +5V, depletion-load, N-channel, silicon-gate, N500 MOS process technology. It provides the hardware features, architectural enhancements and instructions that are necessary to make it a powerful and cost-effective controller for applications requiring up to 64k bytes of program memory and/or up to 64k bytes of data storage.

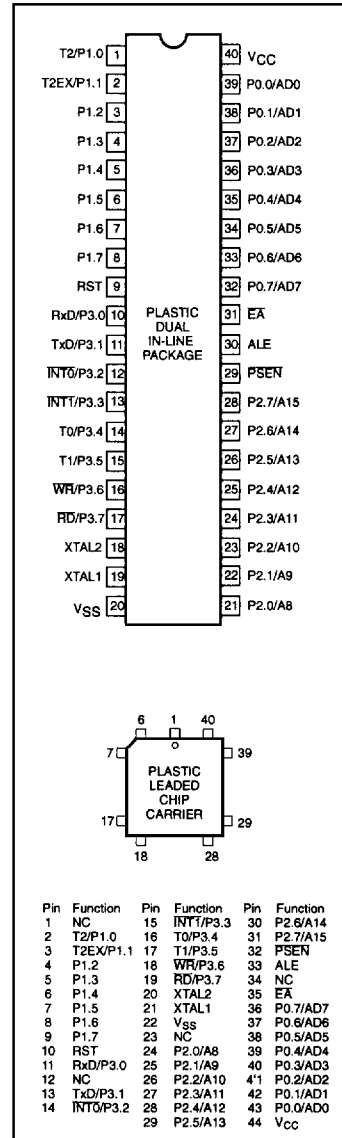
The 8032AH/8052AH contains 256 bytes of read/write data memory, 32 I/O lines configured as four 8-bit ports, three 16-bit counter/timers, a six-source, two-priority-level nested interrupt structure, a programmable serial I/O port and on-chip oscillator and clock circuitry. The 8052AH has all of these features plus 8k bytes of non-volatile read-only program memory. Both microcontrollers have memory expansion capabilities of up to 64k bytes of data storage and 64k bytes of program memory that can be attained with standard TTL compatible memories.

Because of its extensive BCD/binary arithmetic and bit-handling facilities, the 8032AH/8052AH microcontroller is efficient at both computational and control-oriented tasks. Efficient use of program memory is also achieved by using the familiar compact instruction set of the 8031AH/8051AH. Forty-four percent of the instructions are one-byte, 41% two-byte, and 15% three-byte instructions. With a 12MHz crystal, the majority of the instructions execute in just 1.0µs. The longest instructions, multiply and divide, require only 4µs at 12MHz.

FEATURES

- 8032AH — control-oriented CPU with RAM and I/O
- 8052AH — an 8032AH with factory mask-programmable ROM
- 8k X 8 ROM (8052AH only)
- 256 X 8 RAM
- Four 8-bit ports, 32 I/O lines
- Three 16-bit timer/counters
- Programmable full-duplex serial channel
 - Variable transmit/receive baud rate capability
- Timer 2 capture capability
- External memory
 - 64k ROM and 64k RAM
- Boolean processor
- 128 user bit-addressable locations
- Upward compatible with 8031AH/8051AH

PIN CONFIGURATIONS



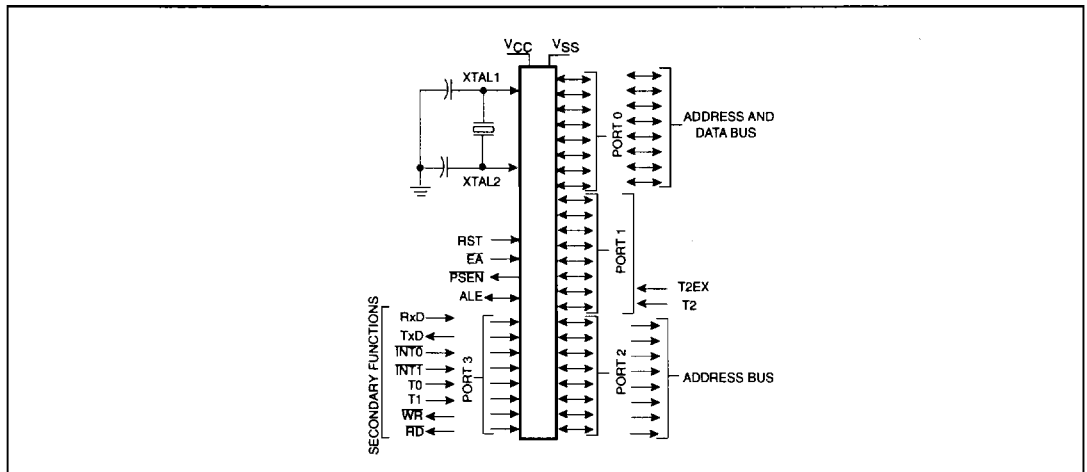
Single-chip 8-bit microcontroller

8032AH/8052AH

ORDERING INFORMATION

PHILIPS				PHILIPS NORTH AMERICA			TEMPERATURE °C AND PACKAGE	FREQ. MHz
ROMless (MARKING NUMBER)	ROMless (ORDER NUMBER)	ROM	Drawing Number	ROMless	ROM	Drawing Number		
MAB8032AH-2-12P	MAB8032A-2N	MAB8052AH-2P	SOT129	SCN8032HCCN40	SCN8052HCCN40	0415C	0 to +70, Plastic Dual In-Line Package	12
MAB8032AH-2-12WP	MAB8032A-2A	MAB8052AH-2WP	SOT187	SCN8032HCCA44	SCN8052HCCA44	0403G	0 to +70, Plastic Leaded Chip Carrier	12
MAF8032AH-2-12P	MAF8032A-2N	MAF8052AH-2P	SOT129	SCN8032HACN40	SCN8052HACN40	0415C	-40 to +85, Plastic Dual In-Line Package	12
MAF8032AH-2-12WP	MAF8032A-2A	MAF8052AH-2WP	SOT187	SCN8032HACA44	SCN8052HACA44	0403G	-40 to +85, Plastic Leaded Chip Carrier	12
MAB8032AH-2-15P	MAB8032A-3N			SCN8032HCFN40	SCN8052HCFN40	0415C	0 to +70, Plastic Dual In-Line Package	15
MAB8032AH-2-15WP	MAB8032A-3A			SCN8032HCFA44	SCN8052HCFA44	0403G	0 to +70, Plastic Leaded Chip Carrier	15
MAF8032AH-2-15P	MAF8032A-3N			SCN8032HAFN40	SCN8052HAFN40	0415C	-40 to +85, Plastic Dual In-Line Package	15
MAF8032AH-2-15WP	MAF8032A-3A			SCN8032HAFA44	SCN8052HAFA44	0403G	-40 to +85, Plastic Leaded Chip Carrier	15

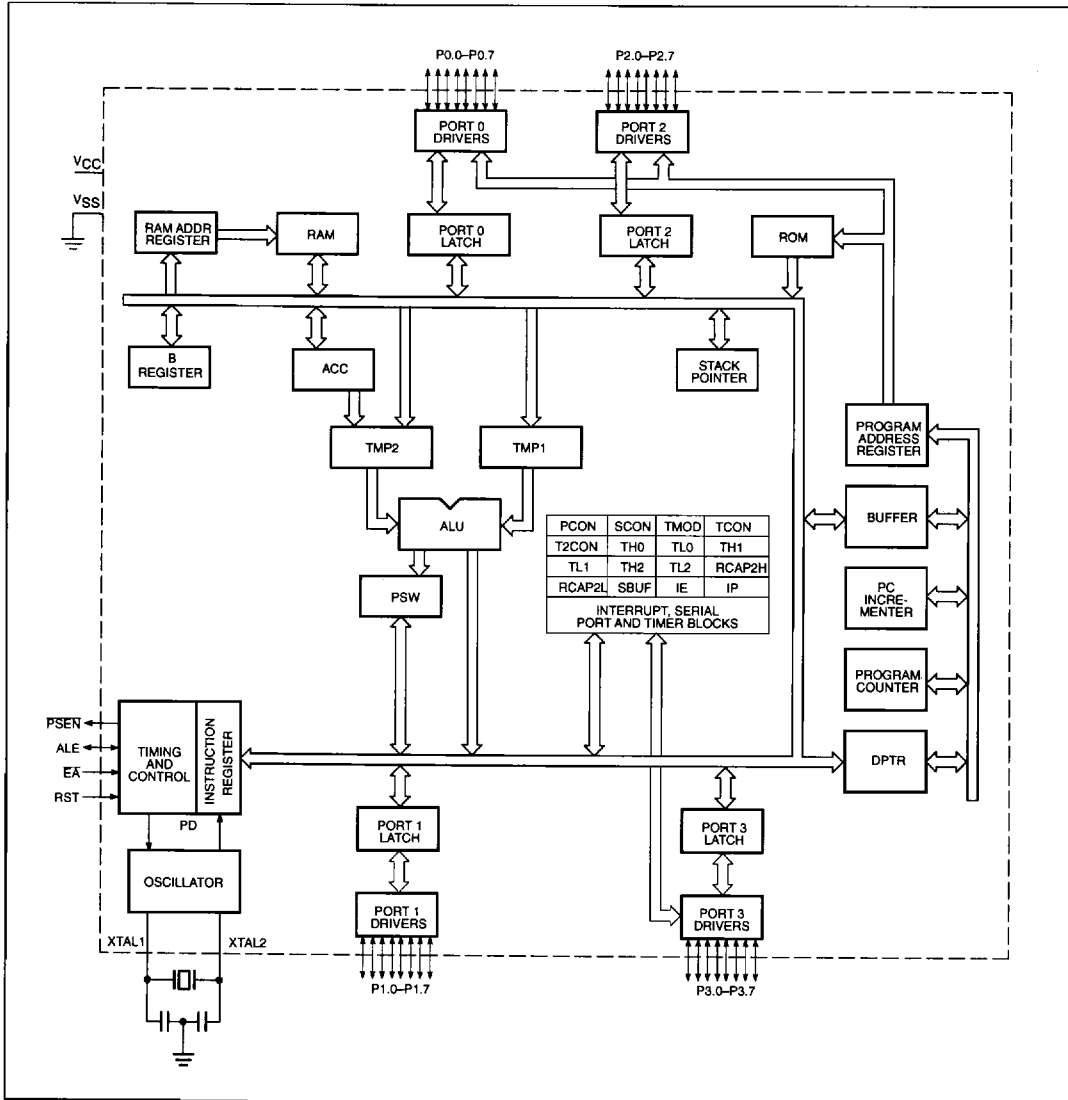
LOGIC SYMBOL



Single-chip 8-bit microcontroller

8032AH/8052AH

BLOCK DIAGRAM



Single-chip 8-bit microcontroller

8032AH/8052AH

PIN DESCRIPTION

MNEMONIC	PIN NO.		TYPE	NAME AND FUNCTION
	DIP	LCC		
V _{SS}	20	22	I	Ground: 0V reference.
V _{CC}	40	44	I	Power Supply: This is the power supply voltage for normal, idle, and power-down operation.
P0.0–0.7	39–32	43–36	I/O	Port 0: Port 0 is an open-drain, bidirectional I/O port. Port 0 pins that have 1s written to them float and can be used as high-impedance inputs. Port 0 is also the multiplexed low-order address and data bus during accesses to external program and data memory. In this application, it uses strong internal pull-ups when emitting 1s.
P1.0–P1.7	1–8	2–9	I/O	Port 1: Port 1 is an 8-bit bidirectional I/O port with internal pull-ups. Pins P1.0 and P1.1 also correspond to the special functions T2, timer 2 counter trigger input, and T2EX, external input to timer 2. The output latch on these two special functions must be programmed to one for that function to operate. Port 1 also receives the low-order address byte during program verification.
				T2 (P1.0): Timer/counter 2 trigger input.
	1	2	I	T2EX (P1.1): Timer/counter 2 external count input.
P2.0–P2.7	21–28	24–31	I/O	Port 2: Port 2 is an 8-bit bidirectional I/O port with internal pull-ups. Port 2 emits the high-order address byte during fetches from external program memory and during accesses to external data memory that use 16-bit addresses (MOVX @DPTR). During accesses to external data memory that use 8-bit addresses (MOV @Ri), port 2 emits the contents of the P2 special function register.
				Port 3: Port 3 is an 8-bit bidirectional I/O port with internal pull-ups. Port 3 also serves the special features of the SC80C51 family, as listed below:
P3.0–P3.7	10–17	11, 13–19	I/O	RxD (P3.0): Serial input port
				TxD (P3.1): Serial output port
				INT0 (P3.2): External interrupt
				INT1 (P3.3): External interrupt
				T0 (P3.4): Timer 0 external input
				T1 (P3.5): Timer 1 external input
				WR (P3.6): External data memory write strobe
				RD (P3.7): External data memory read strobe
RST	9	10	I	Reset: A high on this pin for two machine cycles while the oscillator is running, resets the device. A small external pull-down resistor (approx 8.2k Ω) from RST to V _{SS} permits power-on reset when a capacitor (approx 10 μ F) is also connected from this pin to V _{CC} .
ALE	30	33	I/O	Address Latch Enable: Output pulse for latching the low byte of the address during an access to external memory. In normal operation, ALE is emitted at a constant rate of 1/6 the oscillator frequency, and can be used for external timing or clocking. Note that one ALE pulse is skipped during each access to external data memory.
PSEN	29	32	O	Program Store Enable: The read strobe to external program memory. When the device is executing code from the external program memory, PSEN is activated twice each machine cycle, except that two PSEN activations are skipped during each access to external data memory. PSEN is not activated during fetches from internal program memory.
EA	31	35	I	External Access Enable: EA must be externally held low to enable the device to fetch code from external program memory locations 0000H and 1FFFH. If EA is held high, the device executes from internal program memory unless the program counter contains an address greater than 1FFFH.
XTAL1	19	21	I	Crystal 1: Input to the inverting oscillator amplifier and input to the internal clock generator circuits.
XTAL2	18	20	O	Crystal 2: Output from the inverting oscillator amplifier.

OSCILLATOR CHARACTERISTICS

XTAL1 and XTAL2 are the input and output, respectively, of an inverting amplifier. The pins can be configured for use as an on-chip oscillator, as shown in the logic symbol.

To drive the device from an external clock source, XTAL2 should be driven while XTAL1

is connected to ground. There are no requirements on the duty cycle of the external clock signal, because the input to the internal clock circuitry is through a divide-by-two flip-flop. However, minimum and maximum high and low times specified in the data sheet must be observed.

RESET

A reset is accomplished by holding the RST pin high for at least two machine cycles (24 oscillator periods), while the oscillator is running.

Single-chip 8-bit microcontroller

8032AH/8052AH

ABSOLUTE MAXIMUM RATINGS^{1, 2, 3}

PARAMETER	RATING	UNIT
Storage temperature range	-65 to +150	°C
Voltage on any other pin to V _{SS}	-0.5 to +7.0	V
Input, output current on any single pin	10	mA
Power dissipation	1.5	W

DC ELECTRICAL CHARACTERISTICS

T_{amb} = 0°C to +70°C or -40°C to +85°C, V_{CC} = 5V ±10%, V_{SS} = 0V^{4, 5}

SYMBOL	PARAMETER	TEST CONDITIONS	LIMITS		UNIT
			MIN	MAX	
V _{IL}	Input low voltage		-0.5	0.8	V
V _{IH}	Input high voltage; except XTAL2, RST		2.0	V _{CC} +0.5	V
V _{IH1}	Input high voltage to RST for reset, XTAL2	XTAL1 to V _{SS}	2.5	V _{CC} +0.5	V
V _{OL}	Output low voltage; ports 1, 2, 3 ⁶	I _{OL} = 1.6mA		0.45	V
V _{OL1}	Output low voltage; port 0, ALE, PSEN ⁶	I _{OL} = 3.2mA		0.45	V
V _{OH}	Output high voltage; ports 1, 2, 3	I _{OH} = -80µA	2.4		V
V _{OH1}	Output high voltage; port 0 in external bus mode, ALE, PSEN ³	I _{OH} = -400µA	2.4		V
I _{IL}	Logical 0 input current; ports 1, 2, 3	V _{IN} = 0.45V		-800	µA
I _{IH1}	Input high current to RST for reset	V _{IN} = V _{CC} - 1.5V		500	µA
I _{LI}	Input leakage current; port 0, EA	0.45 < V _{IN} < V _{CC}		±10	µA
I _{IL2}	Logical 0 input current for XTAL2	XTAL1 = V _{SS} , V _{IN} = 0.45V		-3.2	mA
I _{CC}	Power supply current	All outputs disconnected and EA = V _{CC}		175	mA
C _{IO}	Pin capacitance	f _C = 1MHz, T _{amb} = 25°C		10	pF

T_{amb} = -40°C to +85°C – Extended temperature range, V_{CC} = 5V ±10%, V_{SS} = 0V

V _{IH}	Input high voltage; except XTAL2, RST		2.2	V _{CC} +0.5	V
V _{IH1}	Input high voltage to RST for reset, XTAL2	XTAL1 to V _{SS}	2.7		V
I _{IL2}	Logical 0 input current for XTAL2	XTAL1 = V _{SS} , V _{in} = 0.45V		-3.5	mA

NOTES:

- Stresses above those listed under Absolute Maximum Ratings may cause permanent damage to the device. This is a stress rating only and functional operation of the device at these or any conditions other than those described in the AC and DC Electrical Characteristics section of this specification is not implied.
- For operating at elevated temperatures, the device must be derated based on +150°C maximum junction temperature.
- This product includes circuitry specifically designed for the protection of its internal devices from the damaging effects of excessive static charge. Nonetheless, it is suggested that conventional precautions be taken to avoid applying greater than the rated maxima.
- Parameters are valid over operating temperature range unless otherwise specified. All voltages are with respect to V_{SS} unless otherwise noted.
- All voltage measurements are referenced to ground. For testing, all input signals swing between 0.45V and 2.4V with a transition time of 20ns maximum. All time measurements are referenced at input voltages of 0.8V and 2.0V and at output voltages of 0.8V and 2.0V as appropriate.
- V_{OL} is derated when the device rapidly discharges external capacitance. This AC noise is most pronounced during emission of address data. When using external memory, locate the latch or buffer as close as possible to the device.

Datum	Emitting Ports	Degraded I/O Lines	V _{OL} (Peak Max)
Address	P2, P0	P1, P3	0.8V
Write Data	P0	P1, p3, ALE	0.8V
- C_L = 100pF for port 0, ALE and PSEN outputs; C_L = 80pF for all other ports.

Single-chip 8-bit microcontroller

8032AH/8052AH

AC ELECTRICAL CHARACTERISTICS $T_{amb} = 0^{\circ}\text{C}$ to $+70^{\circ}\text{C}$ or -40°C to $+85^{\circ}\text{C}$, $V_{CC} = 5\text{V} \pm 10\%$, $V_{SS} = 0\text{V}^{1,2}$

SYMBOL	FIGURE	PARAMETER	12MHz CLOCK		VARIABLE CLOCK		UNIT
			MIN	MAX	MIN	MAX	
$1/t_{CLCL}$		Oscillator frequency: Speed Versions SCN8052 C 32MAB8052/32 -2 SCN8052 F 32MAF8052/32 -2			3.5 3.5 3.5 3.5	12 12 15 12	MHz MHz MHz MHz
t_{LHLL}	1	ALE pulse width	127		$2t_{CLCL}-40$		ns
t_{AVLL}	1	Address valid to ALE low	43		$t_{CLCL}-40$		ns
t_{LLAX}	1	Address hold after ALE low	48		$t_{CLCL}-35$		ns
t_{LLIV}	1	ALE low to valid instruction in		233		$4t_{CLCL}-100$	ns
t_{LLPL}	1	ALE low to PSEN low	58		$t_{CLCL}-25$		ns
t_{PLPH}	1	PSEN pulse width	215		$3t_{CLCL}-35$		ns
t_{PLIV}	1	PSEN low to valid instruction in		125		$3t_{CLCL}-125$	ns
t_{PXIX}	1	Input instruction hold after PSEN	0		0		ns
t_{PXIZ}	1	Input instruction float after PSEN		63		$t_{CLCL}-20$	ns
t_{AVIV}	1	Address to valid instruction in		302		$5t_{CLCL}-115$	ns
t_{PLAZ}	1	PSEN low to address float		20		20	ns
t_{PXAV}	1	PSEN to address valid	75		$t_{CLCL}-8$		ns
Data Memory							
t_{RLRH}	2, 3	RD pulse width	400		$6t_{CLCL}-100$		ns
t_{WLWH}	2, 3	WR pulse width	400		$6t_{CLCL}-100$		ns
t_{RLDV}	2, 3	RD low to valid data in		252		$5t_{CLCL}-165$	ns
t_{RHDX}	2, 3	Data hold after RD	0		0		ns
t_{RHDX}	2, 3	Data float after RD		97		$2t_{CLCL}-70$	ns
t_{LLDV}	2, 3	ALE low to valid data in		517		$8t_{CLCL}-150$	ns
t_{AVDV}	2, 3	Address to valid data in		585		$9t_{CLCL}-165$	ns
t_{LLWL}	2, 3	ALE low to RD or WR low	200	300	$3t_{CLCL}-50$	$3t_{CLCL}+50$	ns
t_{AVWL}	2, 3	Address valid to WR low or RD low	203		$4t_{CLCL}-130$		ns
t_{QVWX}	2, 3	Data valid to WR transition	23		$t_{CLCL}-60$		ns
t_{QVWH}	2, 3	Data valid to WR high	433		$7t_{CLCL}-150$		ns
t_{WHQX}	2, 3	Data hold after WR	33		$t_{CLCL}-50$		ns
t_{RLAZ}	2, 3	RD low to address float		20		20	ns
t_{WHLH}	2, 3	RD or WR high to ALE high	43	123	$t_{CLCL}-40$	$t_{CLCL}+40$	ns
External Clock							
t_{CHCX}	5	High time	20		20		ns
t_{CLCX}	5	Low time	20		20		ns
t_{CLCH}	5	Rise time		20		20	ns
t_{CHCL}	5	Fall time		20		20	ns

NOTES:

- Parameters are valid over operating temperature range unless otherwise specified.
- Load capacitance for port 0, ALE, and PSEN = 100pF, load capacitance for all other outputs = 80pF.

Single-chip 8-bit microcontroller

8032AH/8052AH

EXPLANATION OF THE AC SYMBOLS

Each timing symbol has five characters. The first character is always 't' (= time). The other characters, depending on their positions, indicate the name of a signal or the logical status of that signal. The designations are:

- A - Address
- C - Clock
- D - Input data
- H - Logic level high
- I - Instruction (program memory contents)
- L - Logic level low, or ALE
- P - PSEN

- Q - Output data
- R - RD signal
- t - Time
- V - Valid
- W - WR signal
- X - No longer a valid logic level
- Z - Float

Examples: t_{AVLL} = Time for address valid to ALE low.
 t_{LLPL} = Time for ALE low to PSEN low.

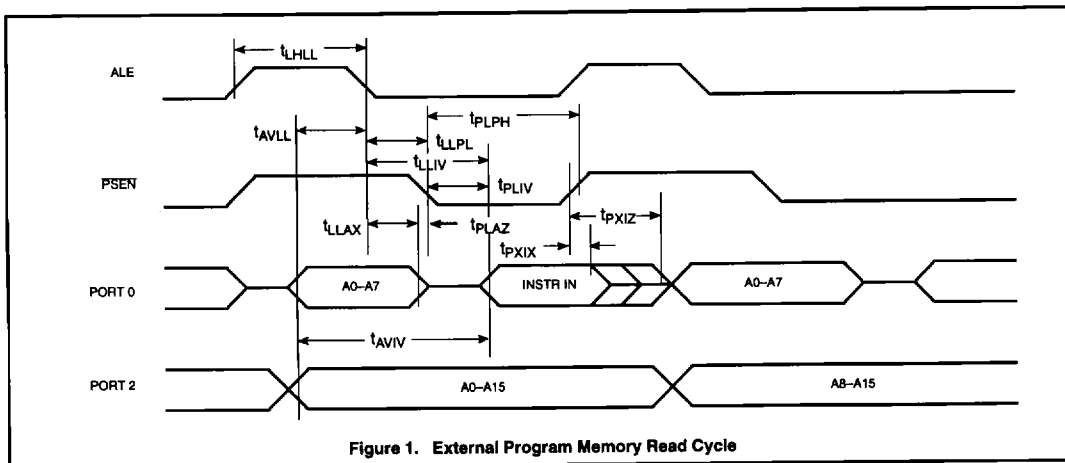


Figure 1. External Program Memory Read Cycle

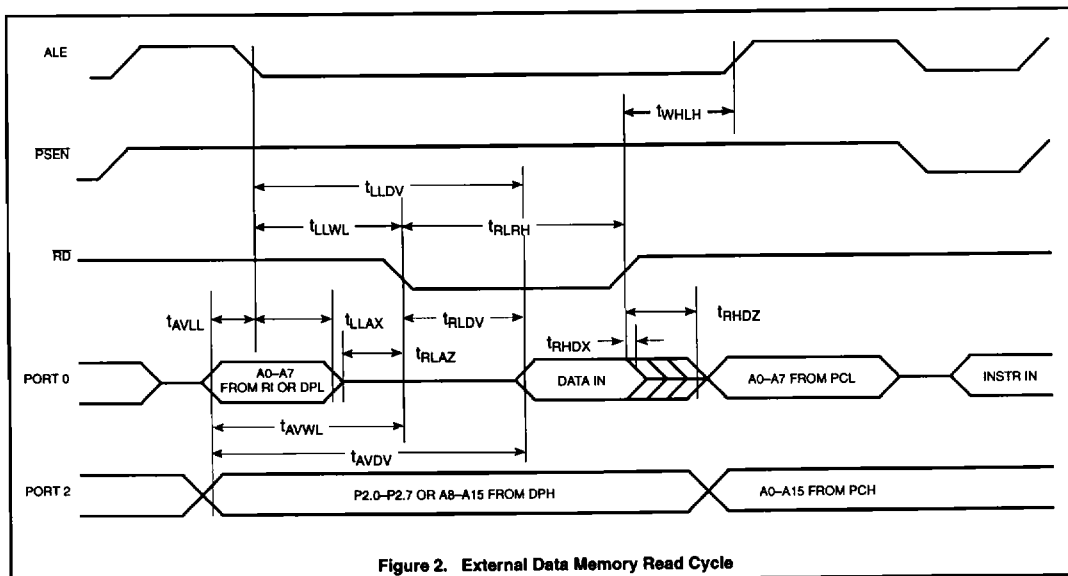
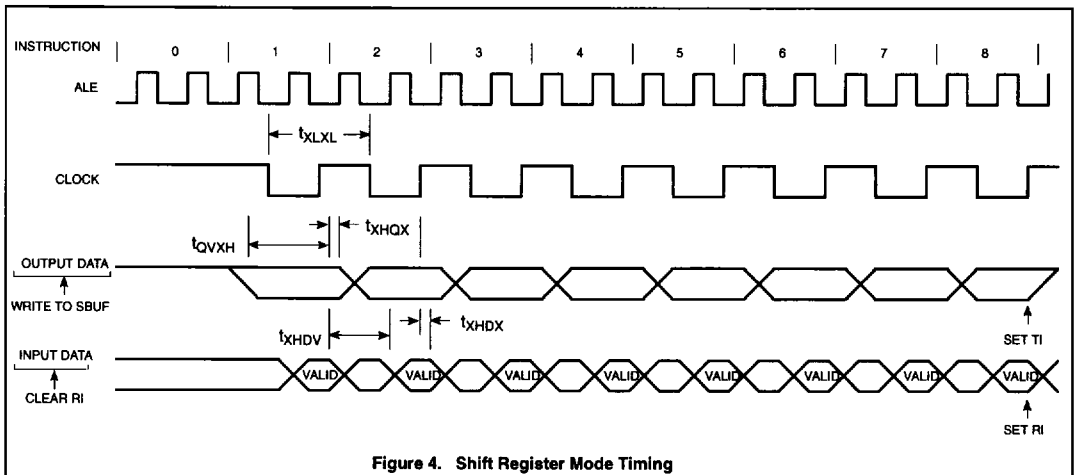
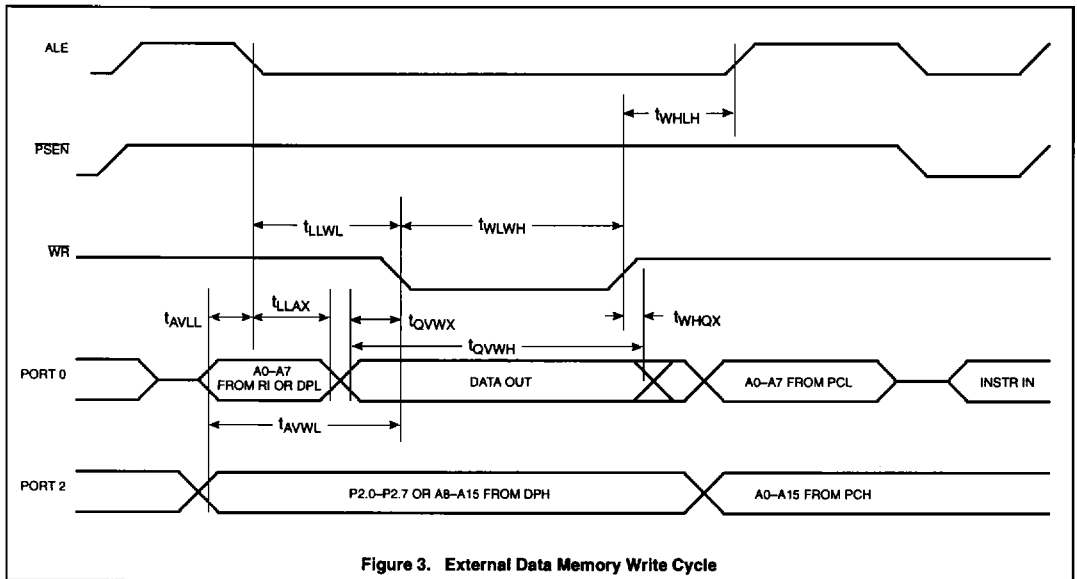


Figure 2. External Data Memory Read Cycle

Single-chip 8-bit microcontroller

8032AH/8052AH



Single-chip 8-bit microcontroller

8032AH/8052AH

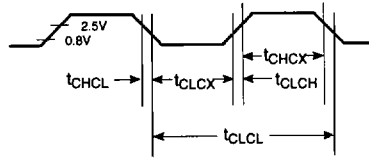
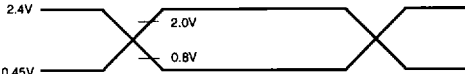
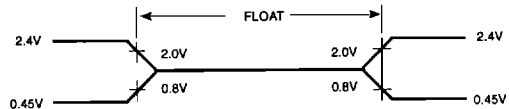


Figure 5. External Clock Drive



NOTE:
AC inputs during testing are driven at 2.4V for a logic '1' and 0.45V for a logic '0'.
Timing measurements are made at 2.0V min for a logic '1' and 0.8V for a logic '0'.

Figure 6. AC Testing Input/Output



NOTE:
For timing purposes, the float state is defined as the point at which a P0 pin sinks 2.4mA or sources 400µA at the voltage test levels.

Figure 7. Float Waveform